

iPolymer Metering Valves (MV)

use a tapered plug-stem to give a fine adjustment to the flow in addition to a full, open, or positive shutoff position.

Our Metering Valves come in two configurations: Straight Flow Pattern (standard) and Angled Flow Pattern (special). iPolymer Metering Valves are considered low pressure valves.

The PTFE all-wetted surface design works equally well with ultra clean DI water and harsh chemical media. As with all Metering Valves, we recommend filtering the media prior to entering the valve.



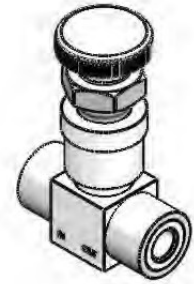
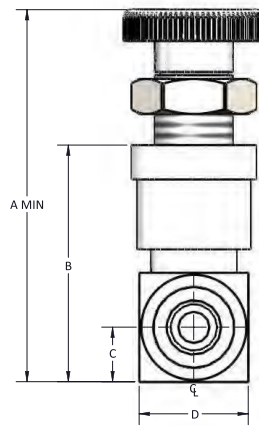
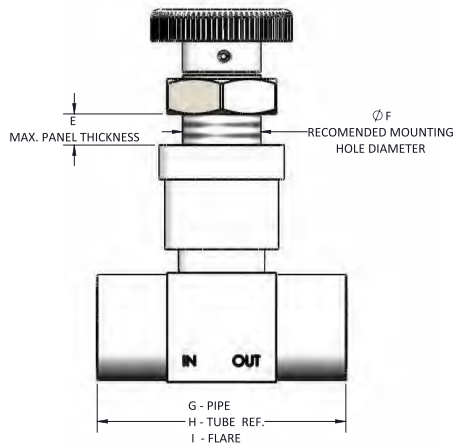
Specifications:

Media Pressure	25 in -Hg to 60 psi maximum
Media Temperature	0°C (32°F) to 100°C (212°F)
Ambient Temperature	0°C (32°F) to 60°C (140°F)

Metering Valve Flow Characteristics:

Metering Valve Orifice	Maximum Flow H2O (gpm)	Maximum Flow Air (scfm)	Turns Full Open Valve
0.094" Orifice	0.24	1.42	5 ±1
0.125" Orifice	0.50	2.95	5 ±1
0.188" Orifice	0.99	5.10	10 ±1
0.250" Orifice	1.05	5.53	10 ±1
0.313" Orifice	3.55	18.93	10 ±1
0.375" Orifice	4.12	22.38	10 ±1
0.438" Orifice	7.40	38.88	10 ±1
0.500" Orifice	8.07	41.02	10 ±1

H2O & Air Flow based on nominal 70°F DI Water & Shop Air at 50 psi



STRAIGHT FLOW PATTERN



ANGLED FLOW PATTERN

Size	A	B	C	D	E	F	G	H	I
1/8"	2.92	1.77	0.38	0.75	0.25	0.64	1.50	1.50	n/a
1/4"	3.05	1.90	0.44	0.88	0.25	0.64	2.00	2.00	2.88
3/8"	4.56	2.61	0.60	1.62	0.69	1.13	2.75	2.75	3.63
1/2"	4.81	2.75	0.72	1.62	0.69	1.13	3.13	2.75	3.82

Metering Valve: ORDERING FORMAT

MV - **22** **P** - **A**

Metering Valve

Port & Orifice Size

Porting w/ Max Orifice

PIPE	
22	1/8" NPT & 0.125" Orifice
44	1/4" NPT & 0.250" Orifice
66	3/8" NPT & 0.375" Orifice
88	1/2" NPT & 0.500" Orifice
TUBE	
21	1/8" TUBE & 0.094" Orifice
43	1/4" TUBE & 0.188" Orifice
65	3/8" TUBE & 0.313" Orifice
87	1/2" TUBE & 0.438" Orifice
FLARE	
42	1/4" FLARE & 0.125" Orifice
64	3/8" FLARE & 0.250" Orifice
86	1/2" FLARE & 0.375" Orifice

Orientation

A = Straight Flow Pattern
B = Angled Flow Pattern

Port Configuration

P = Pipe Female NPT
M = Pipe Male NPT
T = Tube
FF = Fractional Flare

If you do not find your configuration available please call the iPolymer factory

iPolymer Product Notes:

1. Please email Customer Service at info@ipolymer.com
2. Call us for special applications. We can manufacture our Valves with special mounting and interface dimensions.
3. Upon request, alternate material selection from those listed will allow for expanding temperature ratings or other performance characteristics.
4. Unauthorized disassembly of this product will void the original factory one-year product warranty. For further details please contact your local Distributor or our factory directly.