



Sub-miniature Pneumatic Valves

Our **iPolymer Sub-miniature Pneumatic Valves** offer precision performance under extreme conditions. Offered as 2-Way and 3-Way Valves with four body port configurations and four sealing methods, our iPolymer Sub-miniature Pneumatic Valves are suitable for a wide range of ultra clean to highly corrosive media applications.

Our PTFE wetted surface design is ideally suited for semiconductor, pharmaceutical, bio-medical and chemical process applications.



The Sub-mini family has four O-Ring seat seal options: FKM (Viton Eq.), FEPM-AFLAS, FFKM (Kalrez Eq.), and EPDM. Providing unsurpassed chemical compatibility, with a wide range of flowing media, the PTFE valve stem and diaphragm design maintains an inert boundary for ultra-clean and harsh-caustic applications.

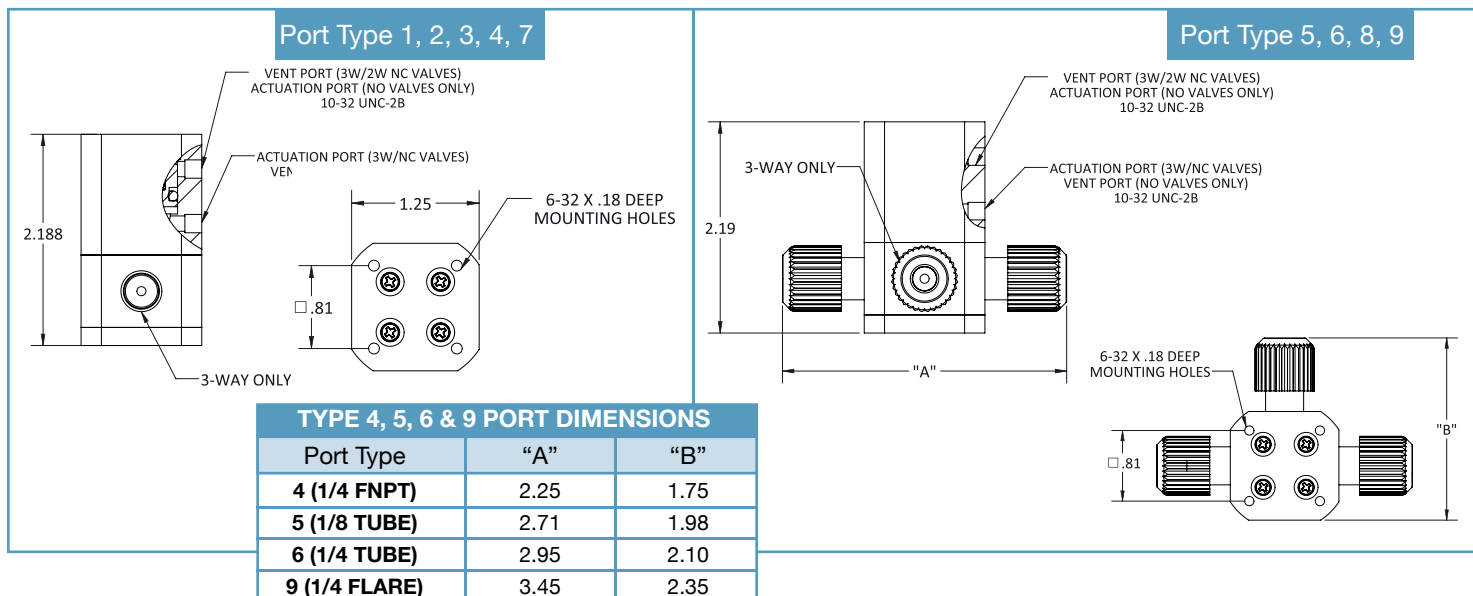
HIGHLIGHTS:

- PTFE design optimized for ultra clean and chemical compatibility.
- Configured with a reliable pneumatic actuator.
- Valve seat and diaphragm designed for positive flushing and tight shut off.
- Non-porous diaphragm isolates actuator from fluid media.
- 100% pneumatic driven – does not require electrical power.
- Designed for aggressive media and elevated temperature.

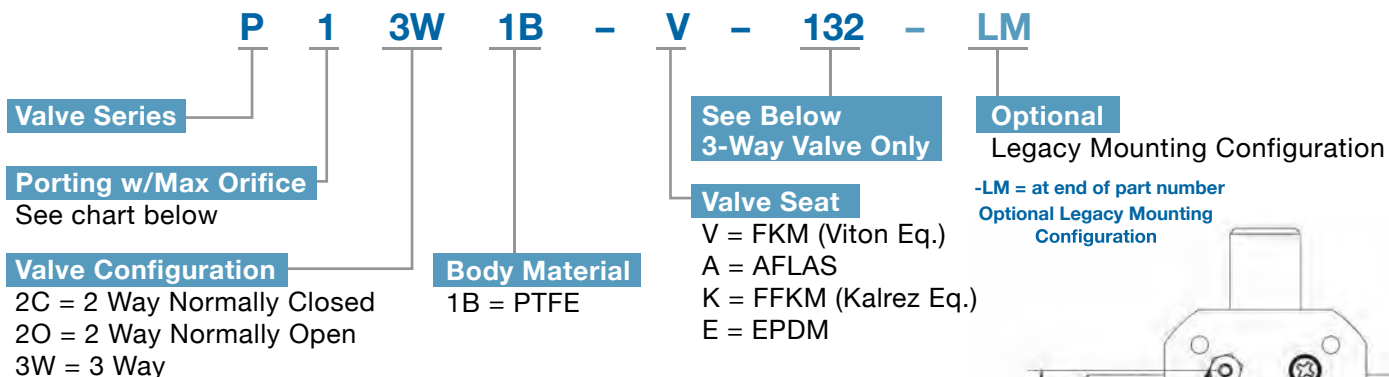
General Valve Parameters	
0.063" Orifice Cv (2W-NC, 2W-NO, 3W)	0.06 / 0.04 / 0.04
0.094" Orifice Cv (2W-NC, 2W-NO, 3W)	0.12 / 0.10 / 0.10
Common Port Vacuum in-Hg (max)	25
Media Temperature (range)	0 - 80°C / 32 - 176°F
Ambient Temperature (range)	0 - 60°C / 32 - 140°F
Pneumatic Actuator Pressure Range (psi)	40 to 60 psi

Maximum Port Pressure Rating (psi)	3-Way
Common Port	80
Normally Closed Port	40
Normally Open Port	40
	2-Way
Inlet Port	80
Outlet Port	40





Pneumatic Valves: ORDERING FORMAT



Consult Factory For Custom Configurations.

Porting w/ Max Orifice

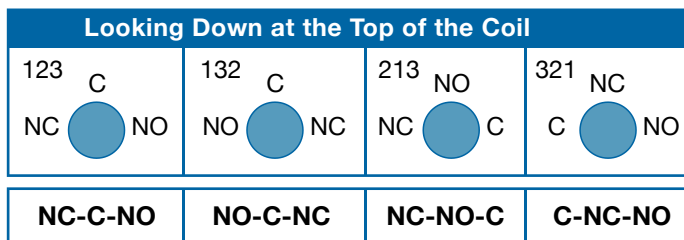
Port Type/Size and Standard Orifice	
1	1/4"-28-UNF Female with 0.063" Orifice
2	1/8" FNPT with 0.094" Orifice
3	#10-32-UNF Female with 0.063" Orifice
4	1/4" FNPT with 0.094" Orifice
5	1/8" Tube with 0.094" Orifice
6	1/4" Tube with 0.094" Orifice
7	1/16" FNPT with 0.063" Orifice
8	1/16" Tube with 0.032" Orifice
9	1/4" Flare with 0.094" Orifice

iPolymer Product Notes:

- Please email Customer Service at info@ipolymer.com.
- Call us for special applications. We can manufacture our Valves with special mounting and interface dimensions.
- Upon request, alternate material selection from those listed will allow for expanding temperature ratings or other performance characteristics.
- Unauthorized disassembly of this product will void the original factory one-year product warranty. For further details please contact your local Distributor or our factory directly.

Port Arrangements

The port orientation can be arranged in four possible patterns on our 3-Way Pneumatic Valves. Please select one of the four arrangements.



STD = 123 & 132 are our standard port arrangements.